

SILEXA

KEG SWITCHER

BEER NON-STOP.

YOUR 24/7 KEG CHANGING ASSISTANT

The Silexa KEG Switch System automatically switches from an empty keg to the next full keg. During the switching process, the lines are drained of foam. No empty pipes, no foamy beer lines.

- + graphic display saves time and effort and increases beer sales
- + fully automatic switching, venting and rinsing process
- + available for 2 or 3 kegs
- + maintenance-free – works without mechanical beer stop and solenoid valves which can get hot
- + matchless hygiene concept – integrated water rinsing and sponge ball cleaning possibility



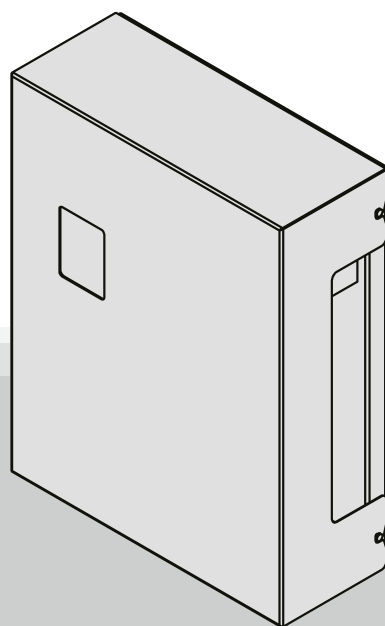
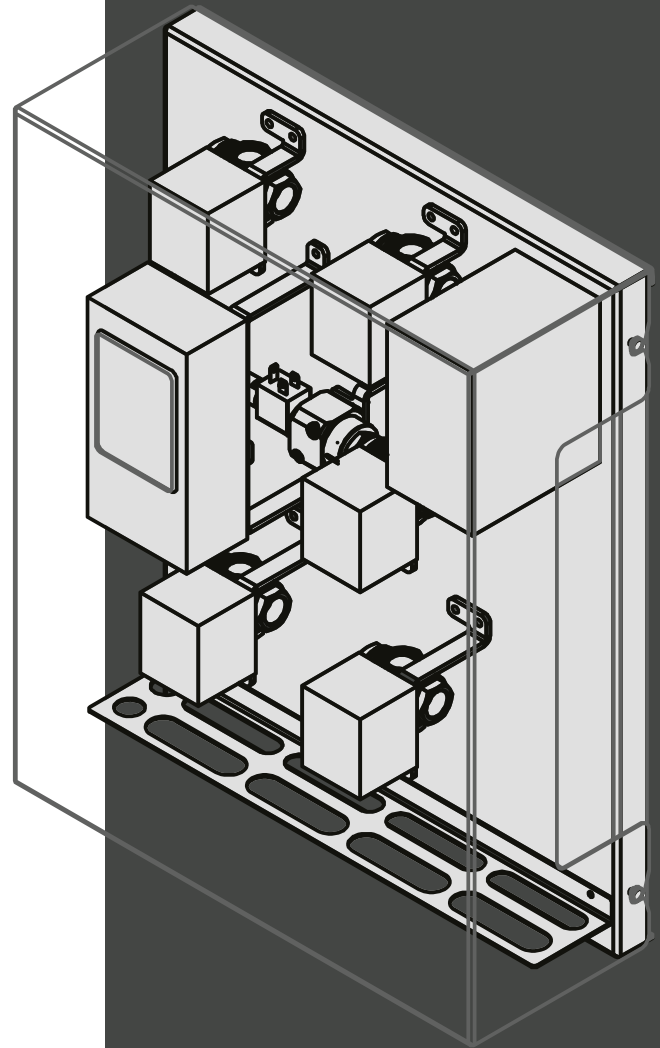
SILEXA KEG SWITCHER

FACTS & FIGURES

- + simple installation and setup
- + available with individual branding
- + switching output for status display

OPTIONAL:

- + integrated conveying gas shut-off without solenoid valves - spare kegs are not supplied with conveying gas
- + integrated beer pump
- + gas pressure and temperature display
- + compatible with Silexa Line Cleaner - chemical cleaning integrated
- + pressure regulator and/or volumetric flow meter & cleaning manifold modules available
- + fully integrated in the Silexa system with keg status display and valve shut-off



DIMENSIONS (MM):

W 434 | H 553 | D 168

